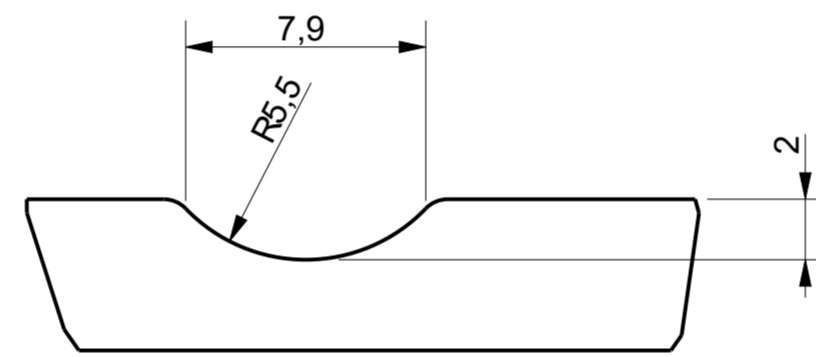
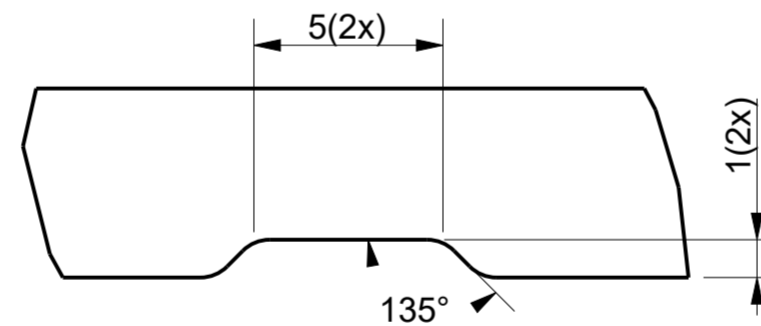


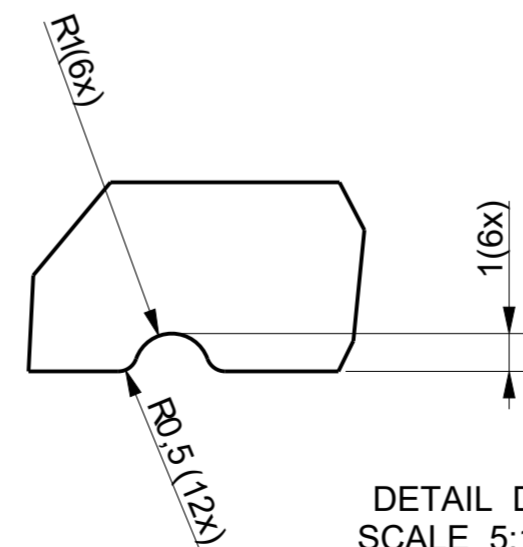
DETAIL A  
SCALE 1:1



DETAIL C  
SCALE 4:1

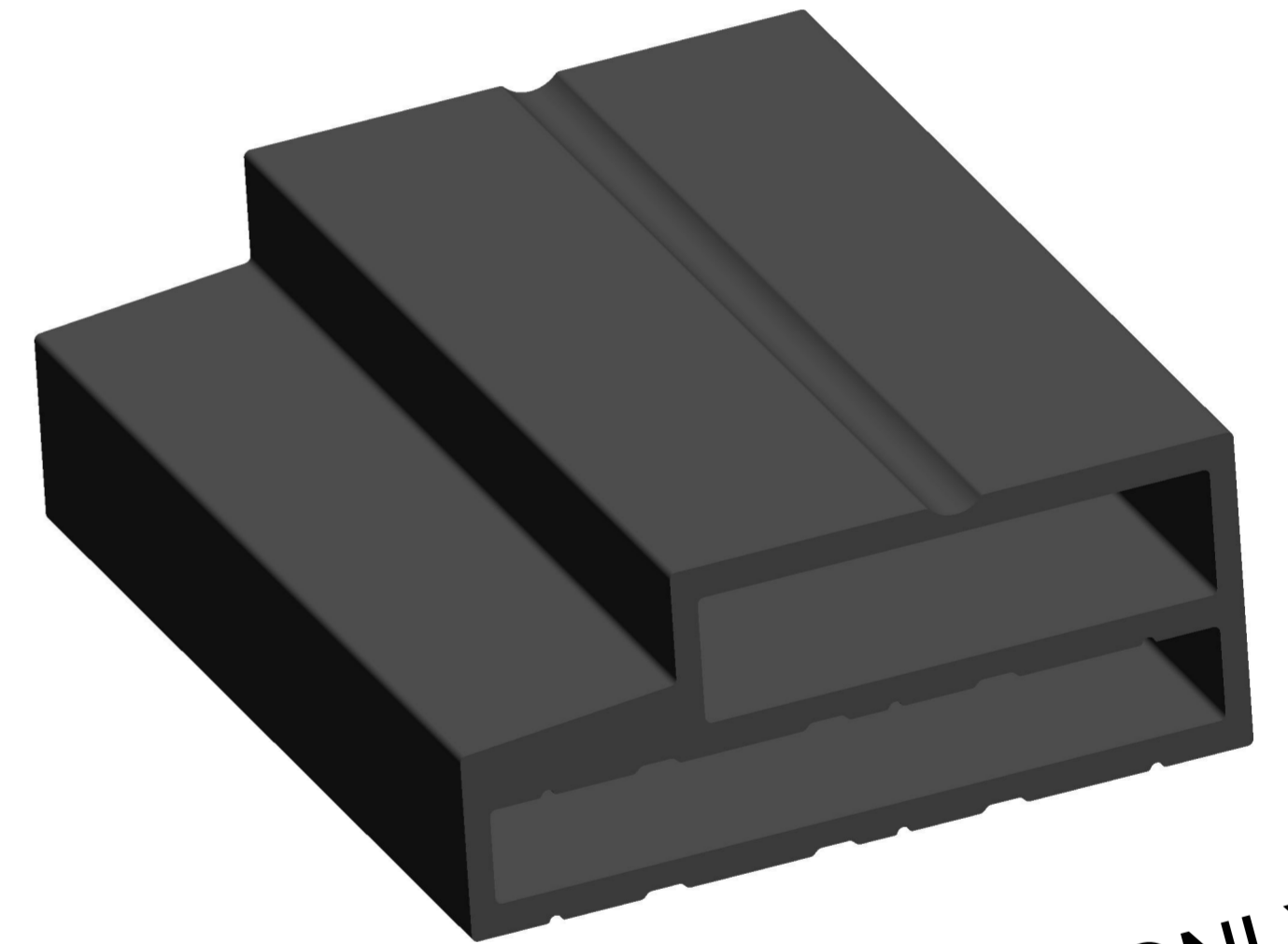


DETAIL B  
SCALE 5:1

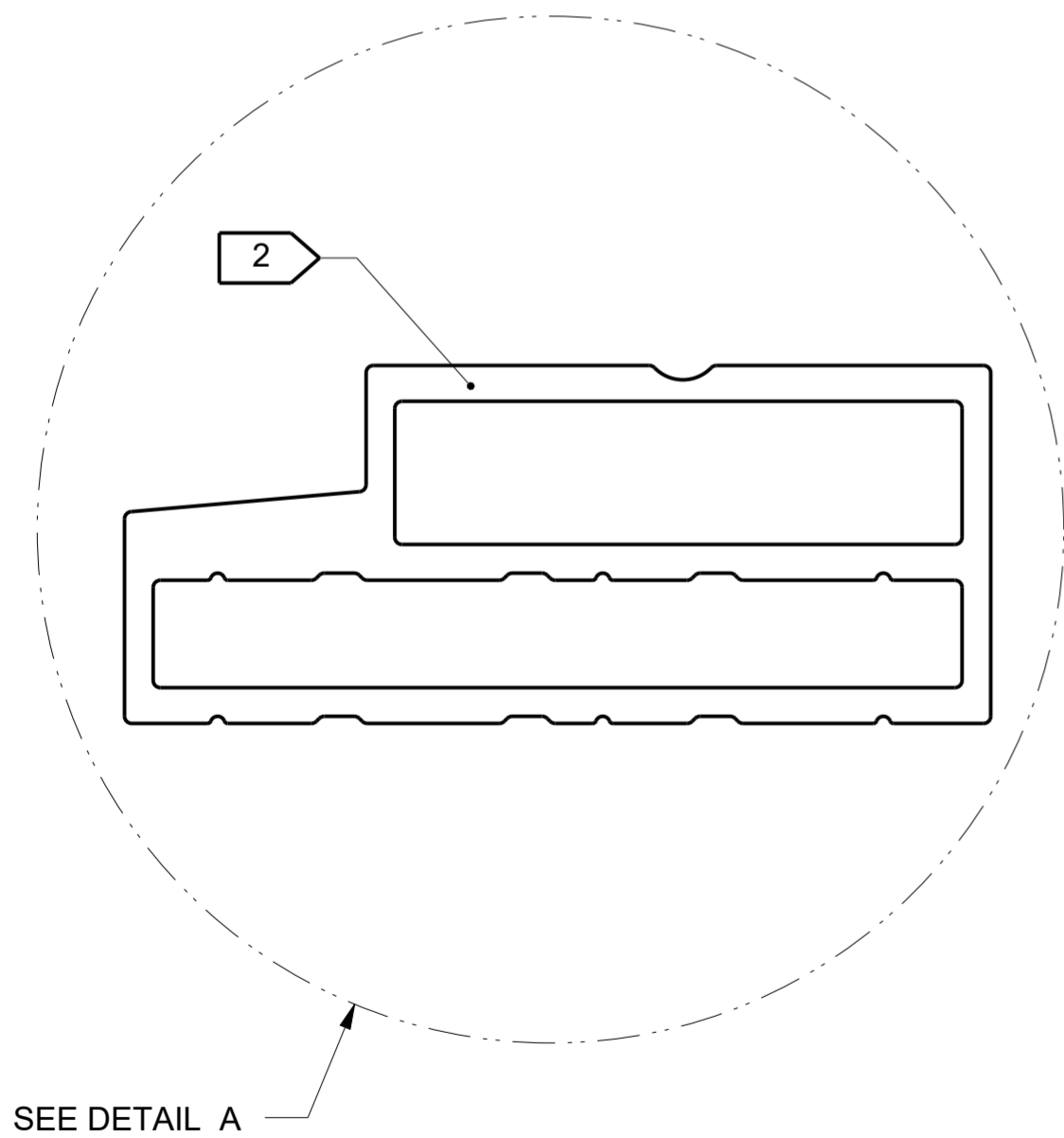


DETAIL D  
SCALE 5:1

1. VOOR OVERIGE MATEN ZIE CAD FILE
2. OPPERVLAKTE DOORSNEDE 2071.2 mm<sup>2</sup>
3.  $\triangle$ ITQ MATEN OPNEMEN IN CONTROLPLAN
4. CONTROLE COLOR TEXTURE GLOSS ZIE MASTER



FOR INFORMATION ONLY



SEE DETAIL A

modification description				date	drawn by	issue
general tolerances		Weight	kg	title		
± 0.2 mm ± 0.5°				ISC-87 DORPEL		
surfaces/corners		material				
drawn by	date	heat/surface treatment	size	scale	sheet	model number
J. Vink	2019-09-09	/	A2	1:1	1 of 1	
Firm:		paint specification	third angle projection		This drawing is the property of ISC B.V. Schijndel The Netherlands and may not be copied in whole or in part without the prior written consent of the owner.	
ISC B.V.						
Cons Nr:		Pro-V-Engineering		drawing/issue number		
				ISC-87/00		