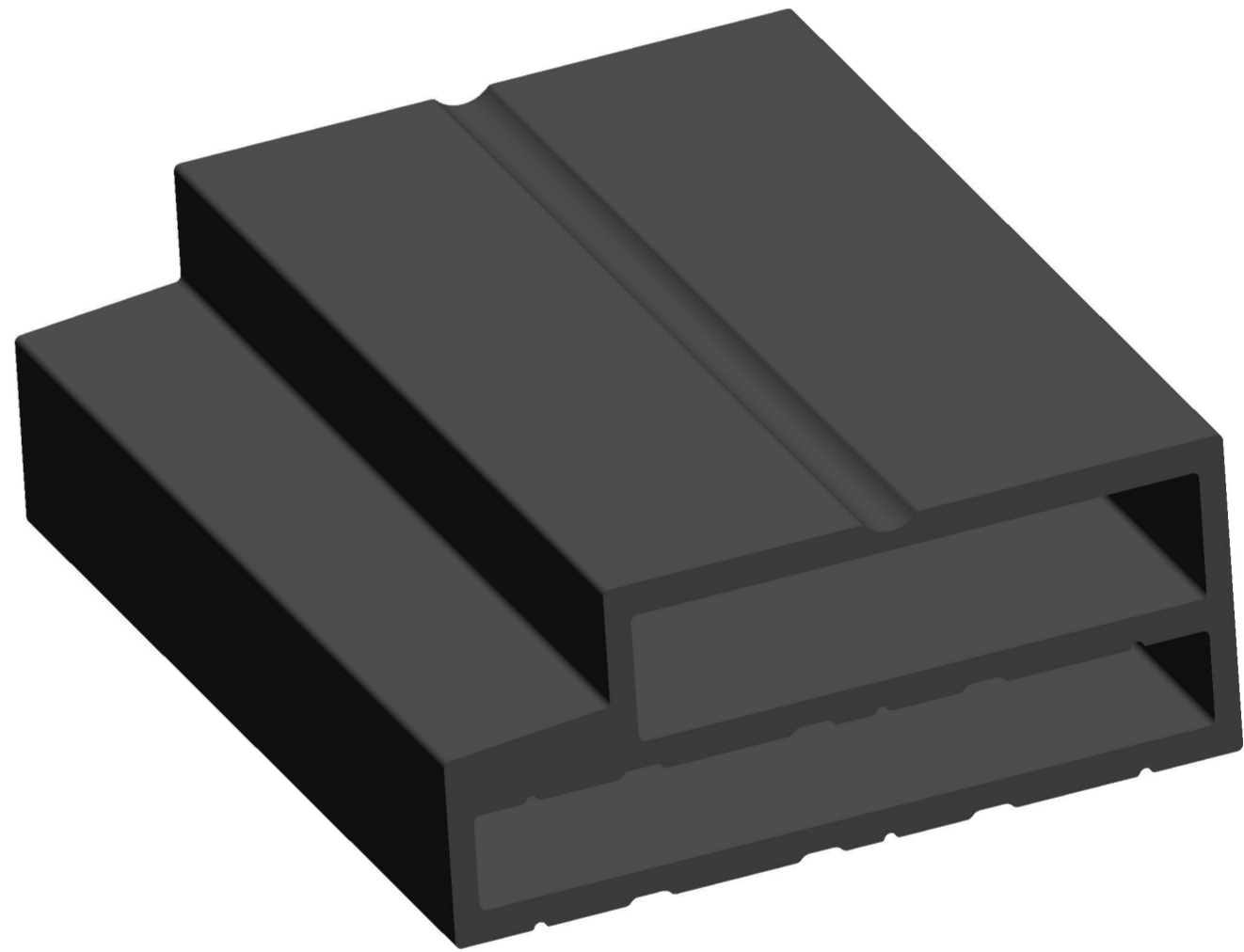
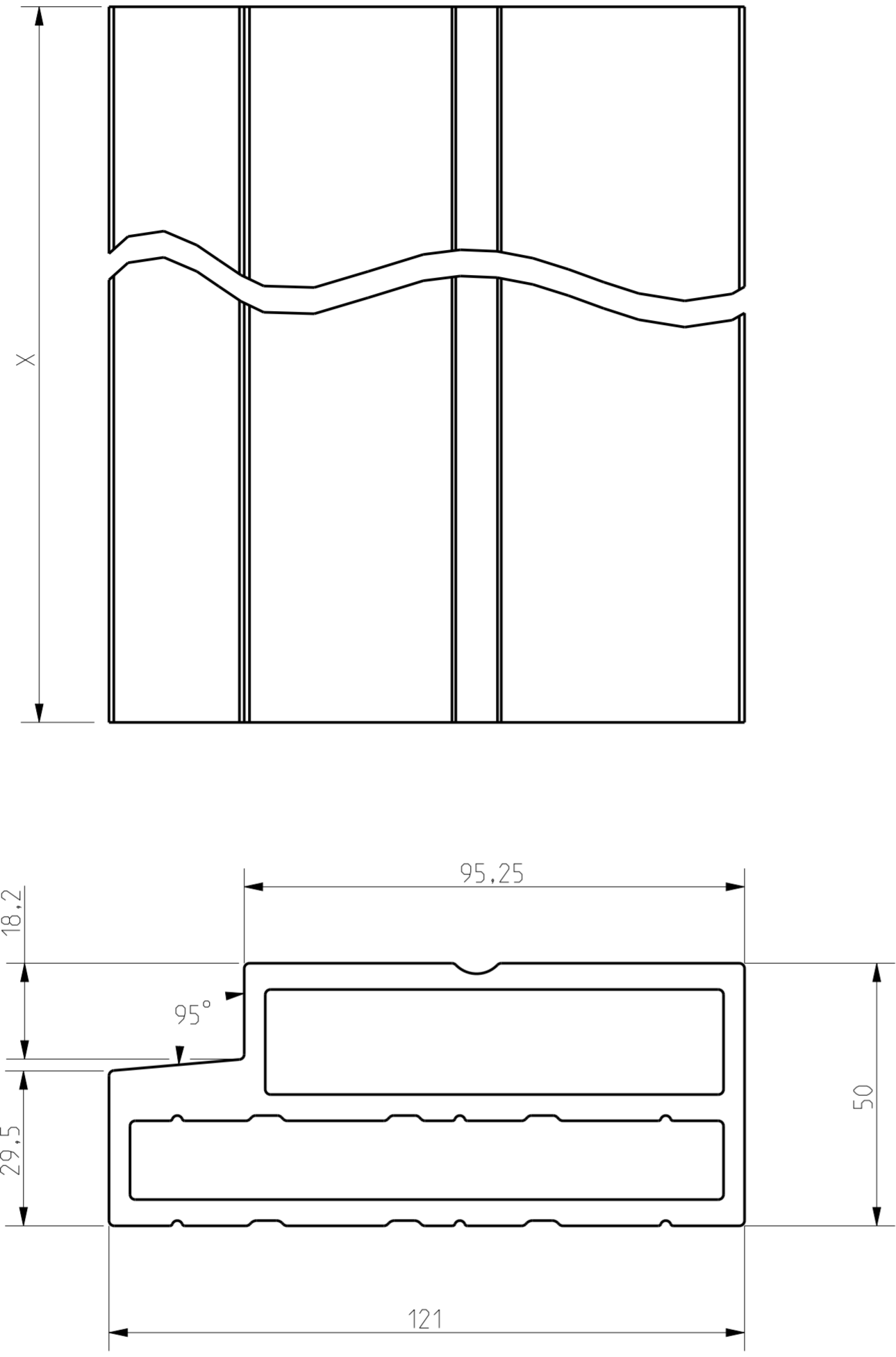


1. VOOR OVERIGE MATEN ZIE CAD FILE



modification description				date		drawn by		issue	
general tolerances ± 0.2 mm ± 0.5 °			Weight		kg		title ISC-95 DORPEL		
surfaces/corners			material						
drawn by J. Vink		date 2021-02-10	heat/surface treatment /		size A2	scale 1:1	sheet 1 of 1	model number	
Firm: ISC B.V.			paint specification		third angle projection 		This drawing is the property of ISC B.V. Schijndel. The Netherlands and may not be copied in whole or in part without the prior written consent of the owner.		
Cons Nr:						drawing/issue number ISC-95/00			